

THIS DRAWING IS UNPUBLISHED.

RELEASED FOR PUBLICATION

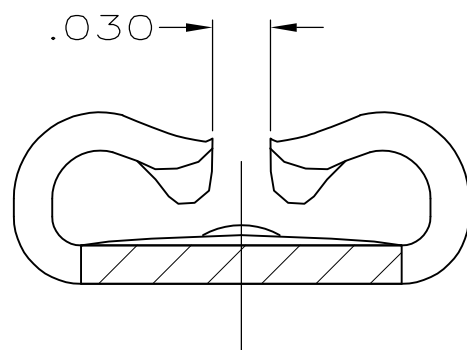
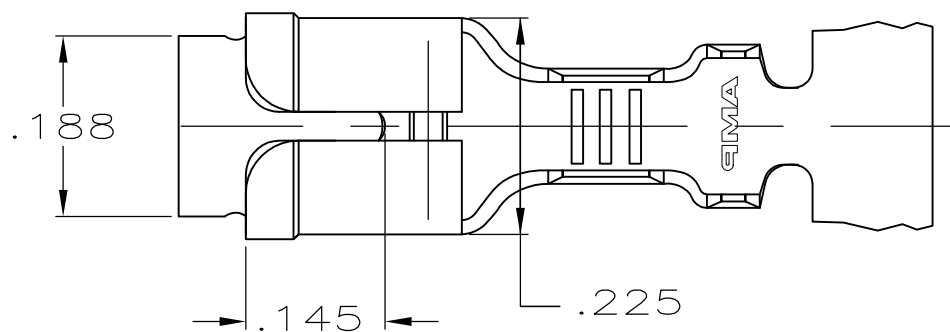
ALL RIGHTS RESERVED.

© COPYRIGHT - By -

LOC AF DIST 50

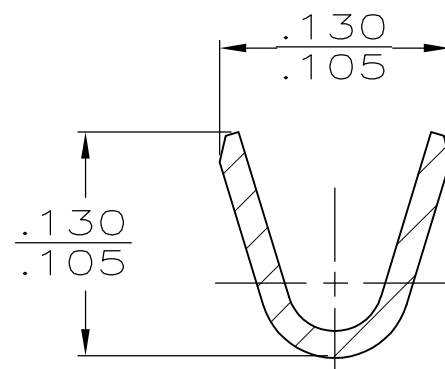
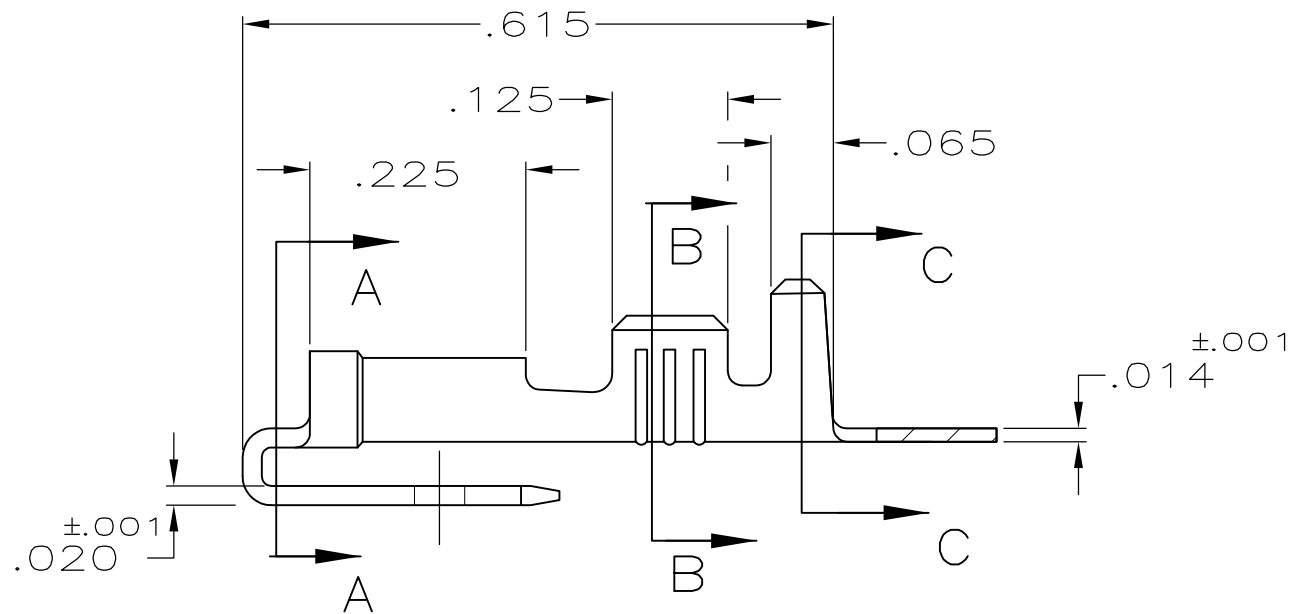
REVISIONS

P	LTR	DESCRIPTION	DATE	DWN	APVD
	C	REVISED PER ECR-12-013518	23NOV2012	KH	PD

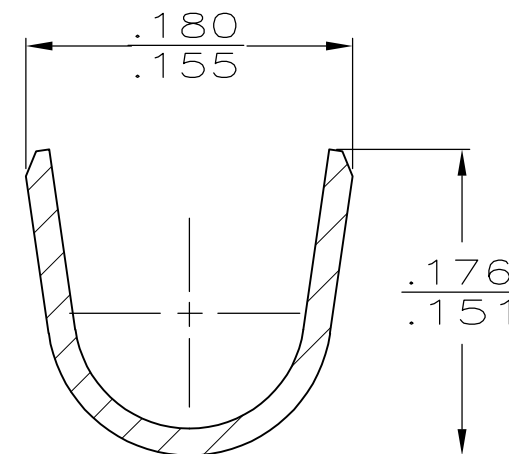


SECTION A-A SCALE 10:1

1 CONTINUOUS STRIP ON REELS.




SECTION B-B SCALE 10:1



SECTION C-C SCALE 10:1

TIN	.090-.130	20-16	.032	63646-2
-				63646-1
FINISH	INSULATION RANGE	WIRE SIZE	MATING TAB THK ±.001	PART NO

THIS DRAWING IS A CONTROLLED DOCUMENT.		DWN JR RUTH 4/23/92	 TE Connectivity RECEPTACLE & TAB, FASTON, PIGGYBACK, .187 SERIES					
DIMENSIONS: INCHES		CHK P FORTNEY 4/23/92						
TOLERANCES UNLESS OTHERWISE SPECIFIED:		APVD C MEYERS 4/23/92						
0 PLC ± - 1 PLC ± - 2 PLC ± - 3 PLC ± .010 4 PLC ± - ANGLES ± -		NAME						
MATERIAL BRASS		FINISH SEE TABLE	PRODUCT SPEC	SIZE	CAGE CODE	DRAWING NO	RESTRICTED TO	
			APPLICATION SPEC	A3	00779	C-63646		
			WEIGHT -	CUSTOMER DRAWING		SCALE 5:1	SHEET 1 OF 1	REV C